



## T3 Crashbar Mount Kit

LAH.T3.10100



### Thank you for choosing DENALI

We know you would rather be riding your bike than wrenching on it, so we go the extra mile to make sure our instructions are clear and as easy to understand as possible. If you have any questions, comments, or suggestions don't hesitate to give our gear experts a call at 401.360.2550 or visit WWW.DENALIELECTRONICS.COM

### Please Read Before Installing

DENALI products should always be installed by a qualified motorcycle technician. If you are unsure of your ability to properly install a product, please have the product installed by your local motorcycle dealer. DENALI takes no responsibility for damages caused by improper installation. **Caution:** When installing electronics it is extremely important to pay close attention to how wires are routed, especially when mounting products to the front fender, front forks, or fairing of your motorcycle. Always be sure to turn the handlebars fully left, fully right, and fully compress the suspension to ensure the wires will not bind and have enough slack for your motorcycle to operate properly.

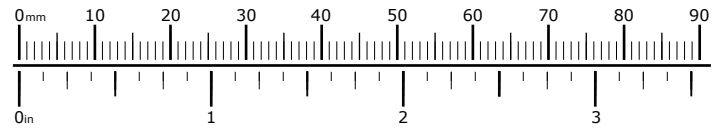
### Installation Tips

We strongly recommend using medium strength liquid thread locker on all screws, nuts, and bolts. It is also important to ensure that all hardware is tightened to the proper torque specifications as listed in your owner's manual. For included accessory hardware please refer to the default torque specifications provided below. Inspect all hardware after the first 30 miles to ensure proper torque specifications are maintained.

Bolt Size	in-lbs	ft-lbs	Nm
M3	10.0 in-lbs	-	1.0 Nm
M4	23.0 in-lbs	-	2.5 Nm
M5	44.5 in-lbs	3.5 ft-lbs	5.0 Nm
M6	78.0 in-lbs	6.5 ft-lbs	9.0 Nm
M8	-	13.5 ft-lbs	18.0 Nm
M10	-	30.0 ft-lbs	41.0 Nm
M12	-	52.0 ft-lbs	71.0 Nm

### Hardware Sizing Guide

Not sure what size bolt you have? Use this ruler to measure screws, bolts, spacers, etc. Remember, the length of a screw or bolt is measured from the start of the "mounting surface" to the end of the screw, so only include the screw head when measuring countersunk screws.



## What's In The Box?

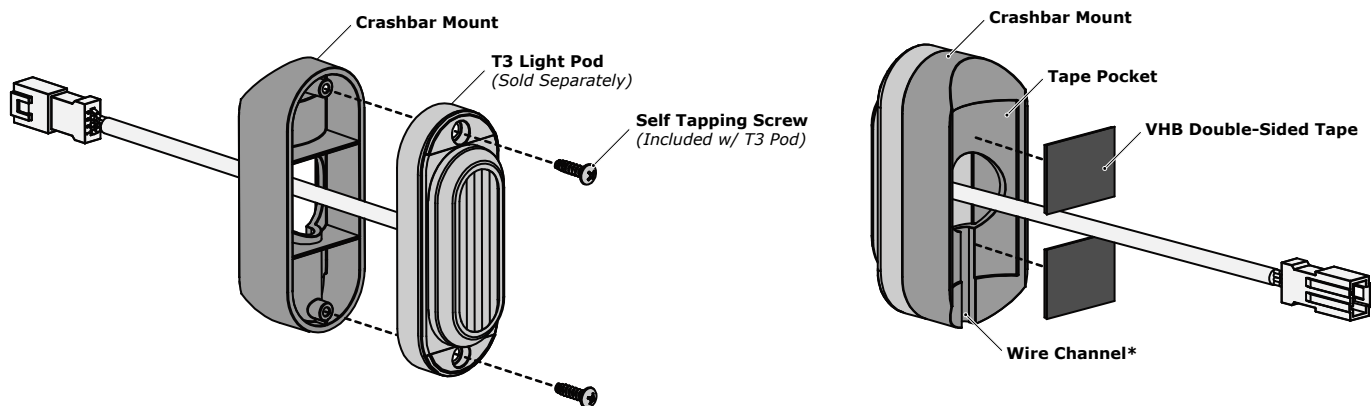


### Kit Contents

- (a) Mounting Bracket .....Qty 2
- (b) VHB Double-Sided Tape.....Qty 1

### Tools Required

#2 Phillips Head Screw Driver, Step Drill Bit, Heat Gun, Rubbing Alcohol



## 1.1 - Assembling The Mount

**Step One:** Feed the harness through the center of the Mounting Bracket (a).

**Step Two:** Use the self tapping screws that were included with the T3 Light Pod to attach it to the Mounting Bracket (a).

Repeat steps One & Two using the second Mounting Bracket and T3 Pod.

## 1.2 - Applying The Double-Sided Tape

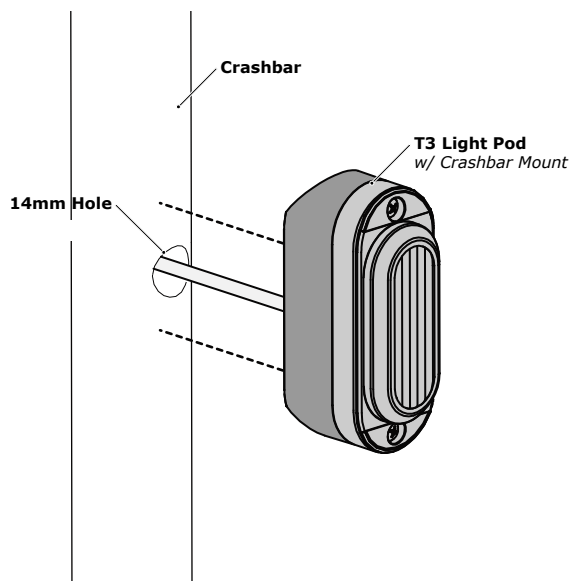
**Step One:** Cut the strip of VHB Doubled-Sided Tape (b) into four even length pieces.

**\*Note:** For External Wiring (Figure 2.2) place the harness in the wire channel before applying the VHB Doubled-Sided Tape (b) to the Crashbar Mount (a).

**Step Two:** Prep and clean the surface of the tape pocket using rubbing alcohol, then use a heat gun to gently warm the surface. Peel off one side of the liner from VHB Double-Sided Tape (b) and apply two pieces to the back of the Crashbar Mount (a).

Repeat steps One & Two using the second Mounting Bracket and the two remaining tape pieces.

# 2. Installing The Crashbar Mounts



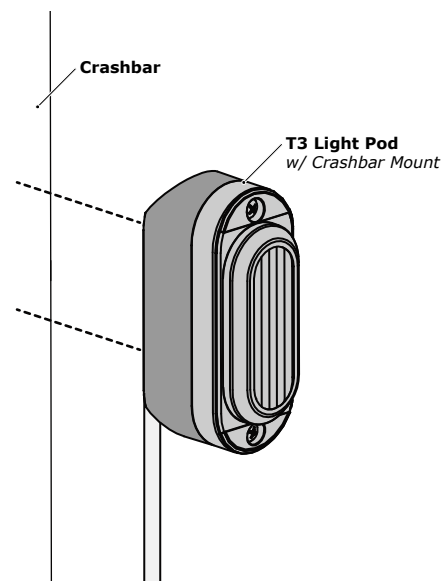
## 2.1 - Internal Wiring

**Step One:** Drill a 14mm hole into the surface of the crashbar of which you will be mounting the T3 Light Pod. Use of a step drill bit is recommended for best results.

**Note:** If the crashbar does not have an existing opening at the end of the tubing, drilling a second 14mm hole will be required to allow the harness to exit the crashbar.

**Step Two:** Feed the harness into the 14mm hole and run/fish it through the crashbar and out the second exit hole.

**Step Three:** Prep and clean the surface of the crashbar using rubbing alcohol, then use a heat gun to gently warm the surface. Peel and remove the remaining liner from the VHB Double-Sided Tape and apply the assembly to the crashbar using moderate pressure.



## 2.2 - External Wiring

**Step One:** Prep and clean the surface of the crashbar using rubbing alcohol, then use a heat gun to gently warm the surface. Peel remaining liner from the VHB Double-Sided Tape and apply the assembly to the crashbar using moderate pressure.

**Step Two:** Run the harness along the outside of the crashbar and secure using zip ties.