



B6/DRL Offset Mounting Kit LAH.DRL.10100

Thank you for choosing DENALI

We know you would rather be riding your bike than wrenching on it, so we go the extra mile to make sure our instructions are clear and as easy to understand as possible. If you have any questions, comments, or suggestions don't hesitate to give our gear experts a call at 401.360.2550 or visit WWW.DENALIELECTRONICS.COM

Please Read Before Installing

DENALI products should always be installed by a qualified motorcycle technician. If you are unsure of your ability to properly install a product, please have the product installed by your local motorcycle dealer. DENALI takes no responsibility for damages caused by improper installation. **Caution:** When installing electronics it is extremely important to pay close attention to how wires are routed, especially when mounting products to the front fender, front forks, or fairing of your motorcycle. Always be sure to turn the handlebars fully left, fully right, and fully compress the suspension to ensure the wires will not bind and have enough slack for your motorcycle to operate properly.

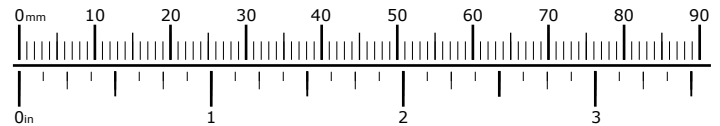
Installation Tips

We strongly recommend using medium strength liquid thread locker on all screws, nuts, and bolts. It is also important to ensure that all hardware is tightened to the proper torque specifications as listed in your owner's manual. For included accessory hardware please refer to the default torque specifications provided below. Inspect all hardware after the first 30 miles to ensure proper torque specifications are maintained.

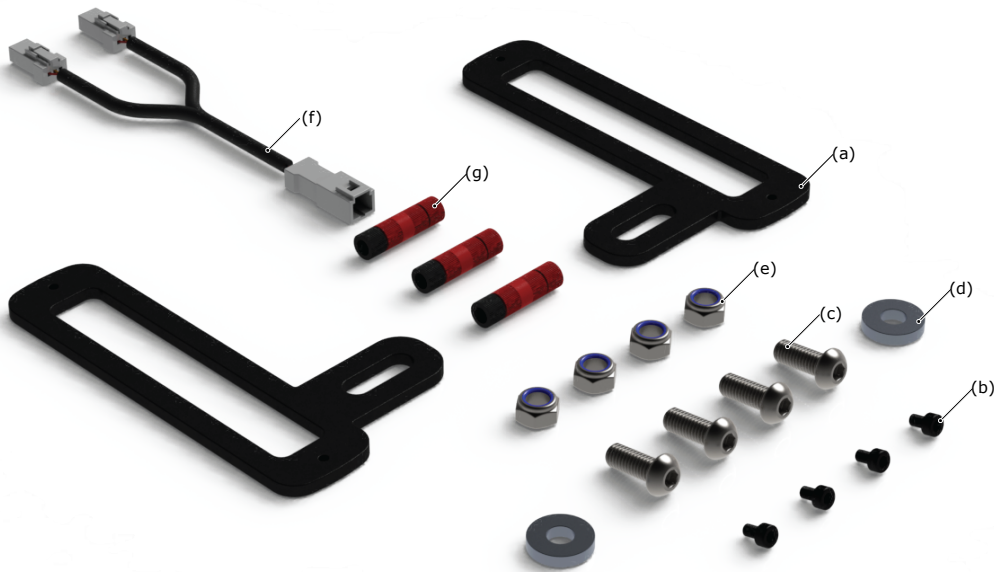
Bolt Size	in-lbs	ft-lbs	Nm
M3	10.0 in-lbs	-	1.0 Nm
M4	23.0 in-lbs	-	2.5 Nm
M5	44.5 in-lbs	3.5 ft-lbs	5.0 Nm
M6	78.0 in-lbs	6.5 ft-lbs	9.0 Nm
M8	-	13.5 ft-lbs	18.0 Nm
M10	-	30.0 ft-lbs	41.0 Nm
M12	-	52.0 ft-lbs	71.0 Nm

Hardware Sizing Guide

Not sure what size bolt you have? Use this ruler to measure screws, bolts, spacers, etc. Remember, the length of a screw or bolt is measured from the start of the "mounting surface" to the end of the screw, so only include the screw head when measuring countersunk screws.



Whats In The Box?

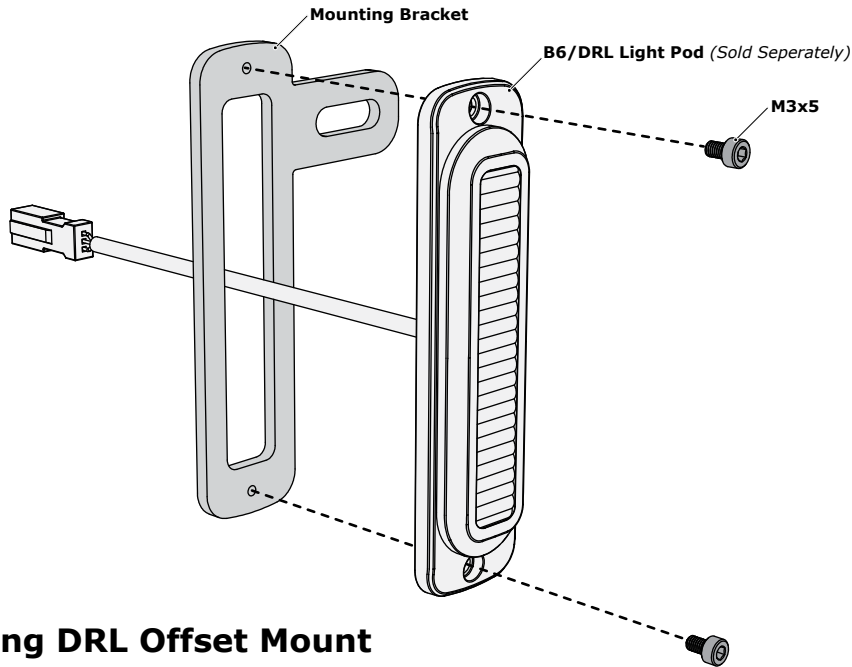


Kit Contents

- (a) Mounting BracketQty 2
- (b) M3x5 DIN 912.....Qty 4
- (c) M6x16 ISO 7380.....Qty 4
- (d) Spacer.....Qty 2
- (e) M6 Nut DIN 985.....Qty 4
- (f) Wiring Splitter.....Qty 1
- (g) Posi-Tap.....Qty 3

Tools Required

2.5mm Allen Key, 4mm Allen Key, 10mm Wrench, Voltmeter/Multimeter

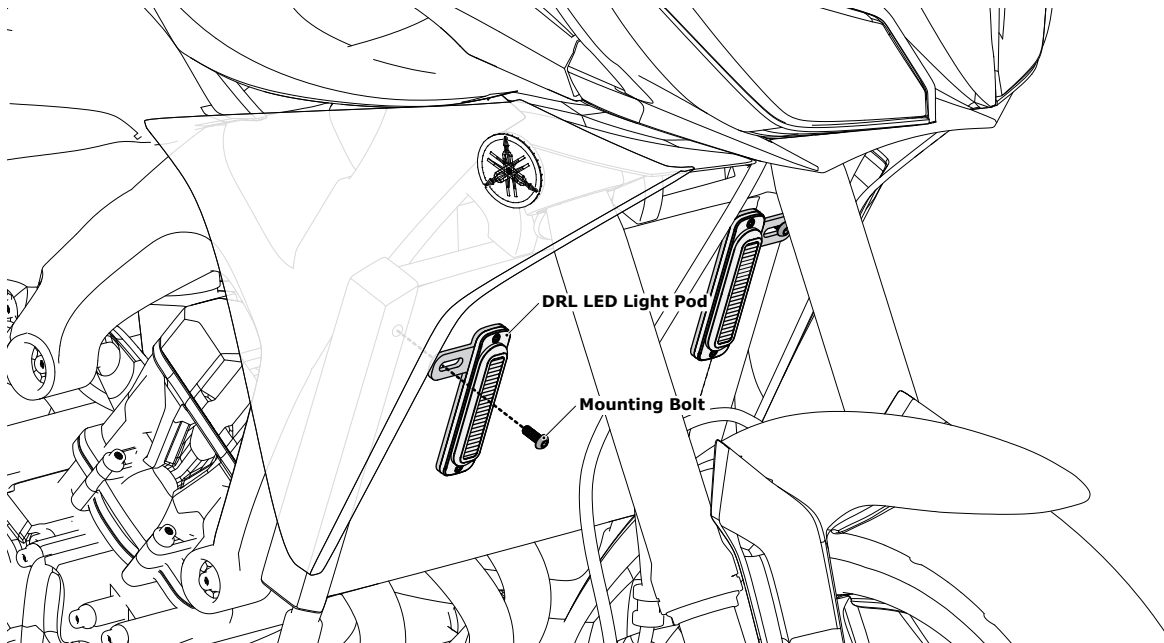


1.1 - Assembling DRL Offset Mount

Step One: Feed the harness through the center of the Mounting Bracket (a).

Step Two: Use the M3x5 Screws (b) to attach the DRL Light Pod to the Mounting Bracket (a).

2. DRL Mounting



2.1 - Mounting To A Threaded M6 Hole

Be sure that the bracket is only bolted directly to the frame or frame elements of the bike. Do not mount to body clips or plastic fairings that are not directly bolted to the frame.

Step One: Use the M6x16 Mounting Bolt (c) to attach the DRL LED Light Pod to the mounting point.

Note: The Spacer (d) can be used if additional offset from the mounting surface is required.

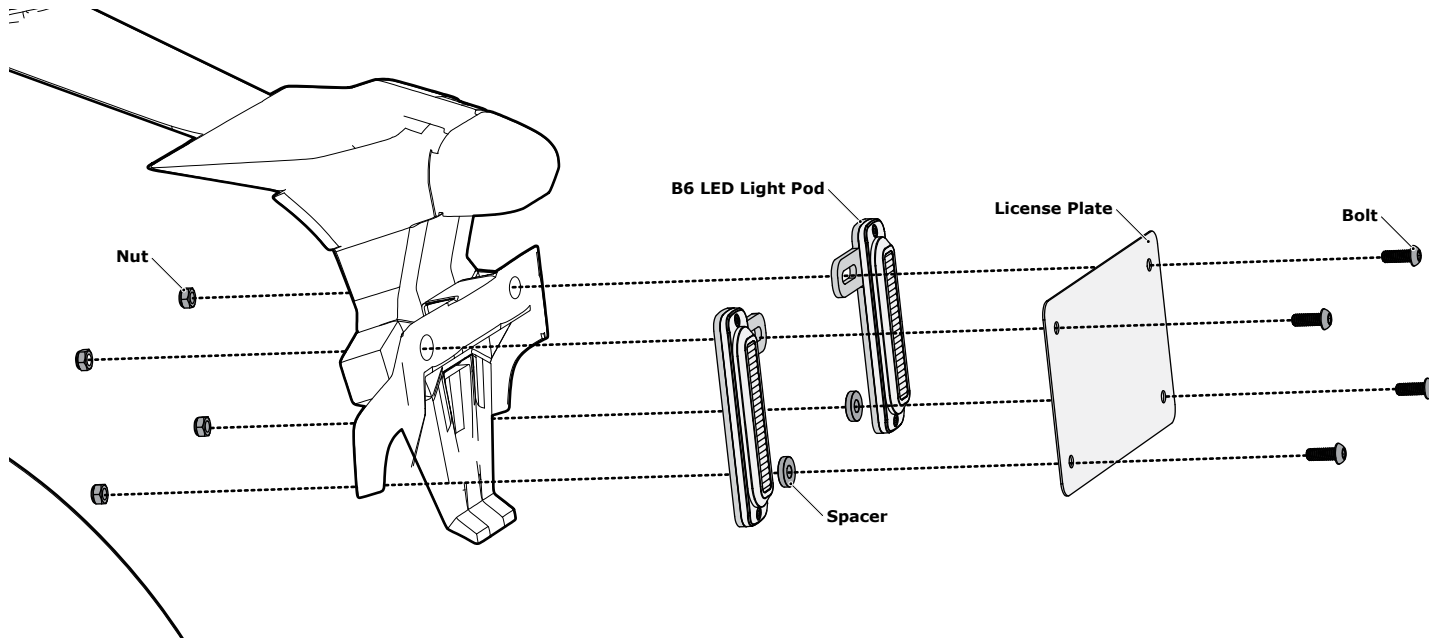
2.2 - Mounting To A Through Hole

Be sure that the bracket is only bolted directly to the frame or frame elements of the bike. Do not mount to body clips or plastic fairings that are not directly bolted to the frame.

Step One: Use the M6x16 Mounting Bolt (c) and Nut (e) to attach the DRL LED Light Pod to the mounting point.

Note: The Spacer (d) can be used if additional offset from the mounting surface is required.

3. Dual License Plate B6 Mounting

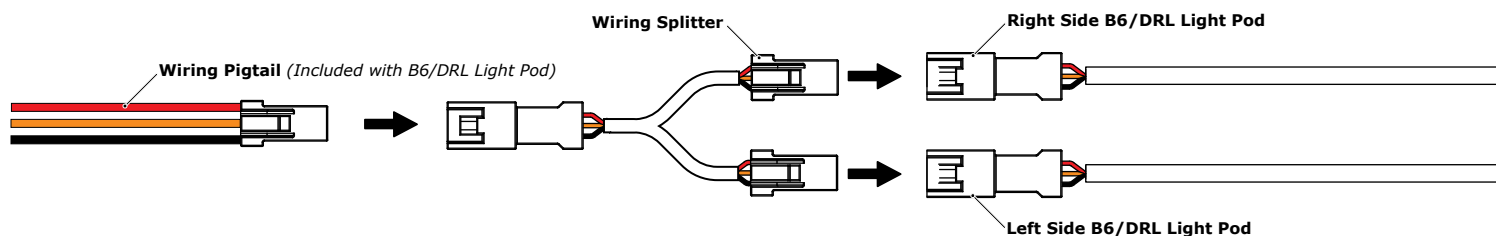


3.1 - Mounting The B6 LED Light Pods

Step One: Use the M6X16 Bolt (c) and Nut (e) to mount the B6 Light Pods behind the license plate, using the upper mounting points.

Note: If the license plate mounts to the vehicle using all mounting points, you can use the included spacer (d) and extra hardware (c & e) for the lower mounting points to level the license plate on the mounting surface.

4. Wiring



4.1 - Connecting The Light Pods

Refer to the B6/DRL LED Light Instruction Manual for full wiring instructions.

Step One: Plug the Pigtail (g) into the Wiring Splitter (n) and then plug the Wiring Splitter (n) into the both DRL Light Pods (a).